

A PROFILE SYSTEM FOR ALL CASES

MiniTec profile system



PRODUCTS



SOLUTIONS



SERVICE



THE ART OF SIMPLICITY

MiniTec has continuously developed from a specialist for miniature guides to a leading technology company and special equipment manufacturer

Today, 420 experts at 11 locations in Germany, France, USA, Great Britain, Spain, Slovenia and China develop customised solutions for our customers. At the same time, more than 60 partners worldwide provide reliable service and expert advice.


Our solutions are just as individual as our customers' requirements. As a full-service manufacturer, we use our design system to realise intelligent systems and special machines for a wide range of tasks in all major industrial sectors: from automotive, chemical and electrical engineering to energy supply, aerospace, mechanical engineering, metal and pharmaceutical industries. In keeping with our high technical standards, the motto for our complete solutions is: The Art of Simplicity.

MiniTec Ein paar Fakten

 **1986**
Founded

 **420**
Employees
280 in Germany

 **60**
Sales and service partners
around the world

 **Business award**
„Innovativer Mittelstand“
Award
„Attraktiver Arbeitgeber
Rheinland-Pfalz“
Honorary award
of the region Westpfalz

 **11**
Locations
Germany, France, Slovenia,
United Kingdom, Spain, USA,
China

LARGE SELECTION FOR EVERY NEED THE CONSTRUCTION KIT FOR ENGINEERS

Flexible and robust, a large selection of ergonomically designed profiles and components is available to you. To ensure that you are optimally equipped for your application now and in the future, we offer our aluminium profiles in various sizes and geometries that can be combined and are compatible with each other. This means that there are no limits to the possible applications of the MiniTec modular profile system.

From the 45x45 profile to the 45x60 profile and the 90x90 profile: the groove of the aluminium profiles within the respective series is designed so that they can be combined with each other as required. Thanks to intelligent connection technology, this is possible without any machining. Constructions can be realised with complete flexibility using just one screw and nut size and one tool.

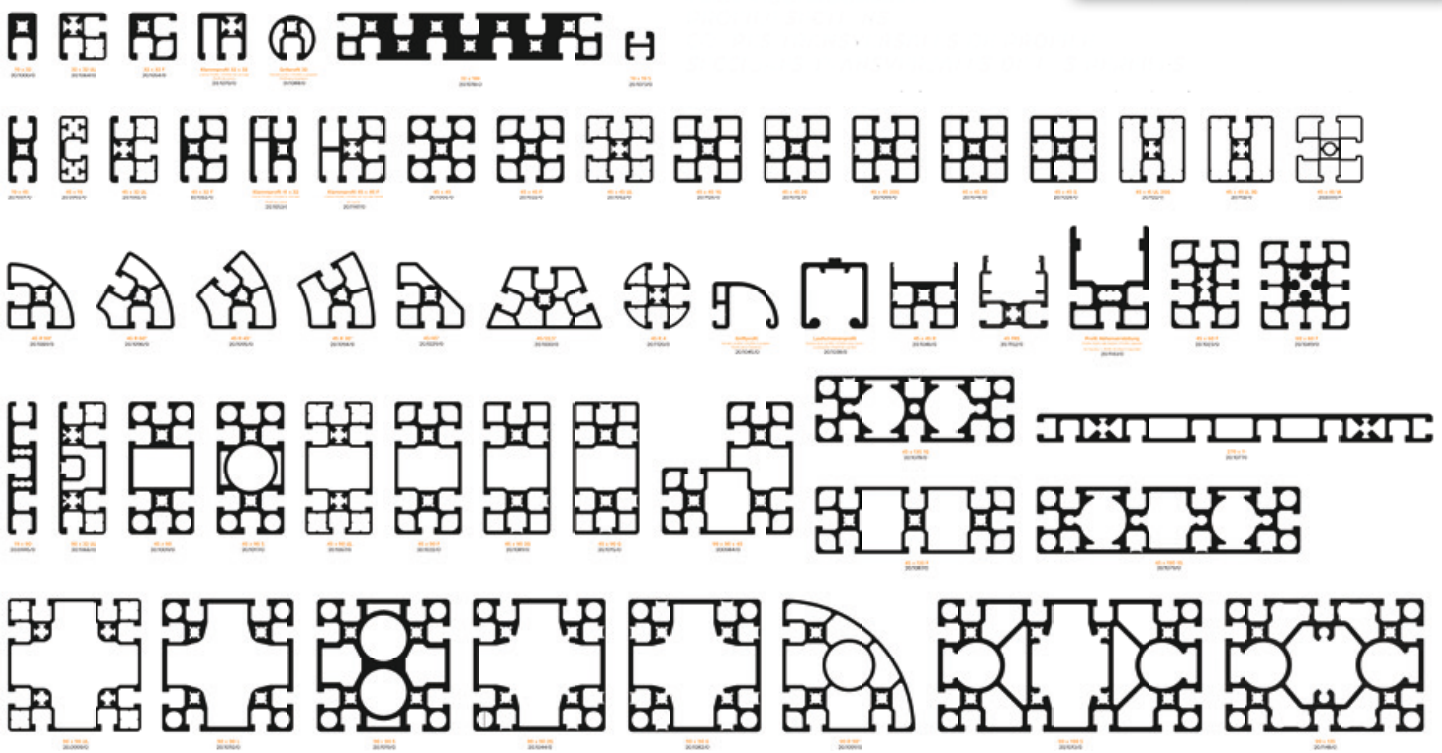
request for free!



PROFILSERIE 30 | PROFILE SERIES 30 | PROFILES DE LA GAMME 30 | SISTEMA DE PERFILES 30



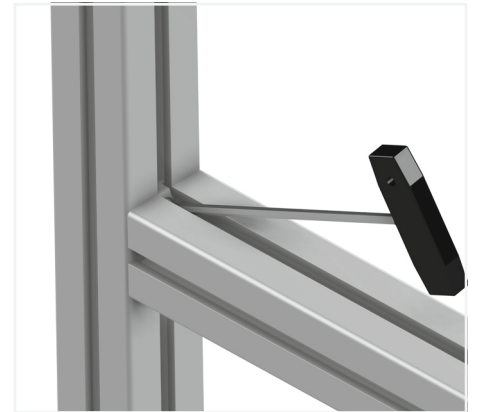
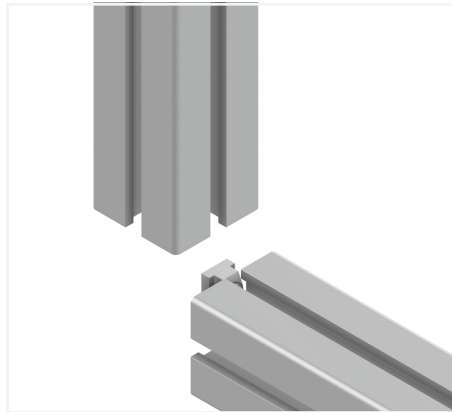
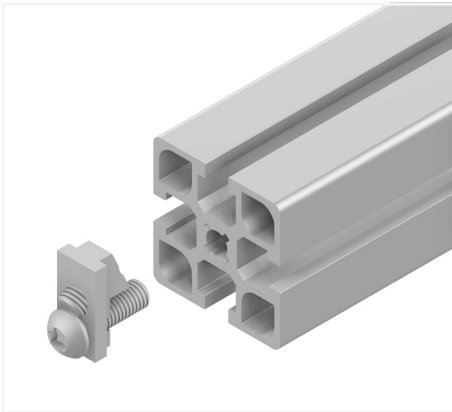
PROFILSERIE 45 | PROFILE SERIES 45 | PROFILES DE LA GAMME 45 | SISTEMA DE PERFILES 45



THE PERFECT BASIS FOR A WIDE RANGE OF APPLICATIONS

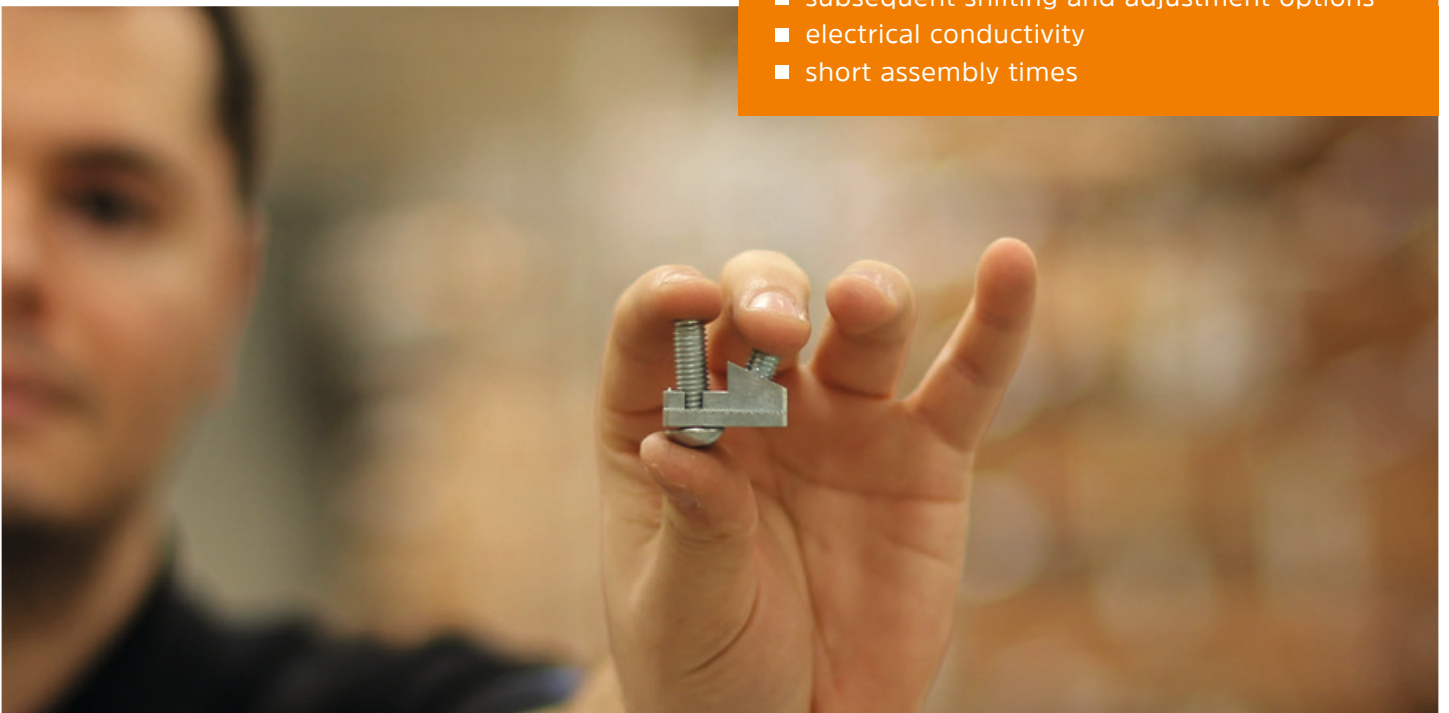
With the MiniTec profile connector, constructions can be assembled easily and without machining thanks to the self-tapping screw. Subsequent connections of several profiles are also possible, while the corners of the connections remain free for panel elements and the connection is invisible from the outside.

The profile connector is simply screwed into the profile cross-section of the profile and pushed into the groove of the profile to be connected. The M8 grub screw then creates a force-fit and ESD-compliant connection between the two profiles - no drilling is required. This means that a design can be subsequently modified or extended without leaving any traces. Overall, the drawing, measuring and machining work is reduced to a minimum.



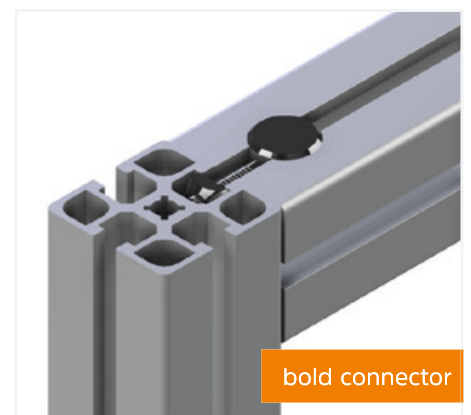
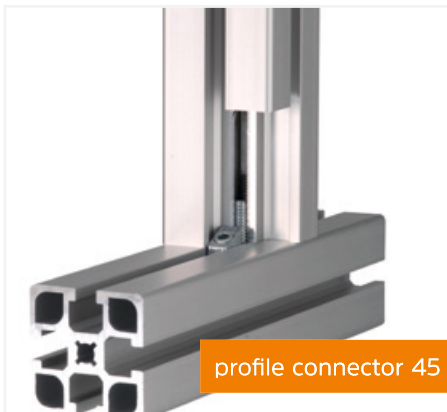
KEY FEATURES

- no drilling
- subsequent shifting and adjustment options
- electrical conductivity
- short assembly times



UTILISING OPTIMISATION POTENTIAL CLEVER CONNECTION WITH MINITEC

In addition to our unique profile connector, MiniTec screws and nuts, mitre connectors, clamping strips, mounting brackets and our other connecting elements offer a wide range of possible applications and combinations of aluminium profiles. See for yourself here of our portfolio of profile connecting elements and how easy they are to use.



iCAD Assembler

Our CAD tool iCAD Assembler is the logical complement to the hardware in our modular system. Only the combination of hardware and software opens up the full potential for rationalised mechanical engineering. We offer our customers free training courses on individually arranged dates at our premises. You will receive valuable tips and tricks to help you benefit even more quickly from the advantages of our modular profile system.

- system-independent 3D design tool
- electrical catalogue
- direct interfaces to all common CAD systems
- automatic part list
- integrated plausibility check
- automatic machining drawings
- Configurators for workstations, linear axes, conveyor belts, roller conveyors, protective devices

STANDORTE WELTWEIT

MINITEC GMBH & CO. KG (DEUTSCHLAND)

MiniTec-Allee 1 | 66901 Schönenberg-Kübelberg
Tel. +49 6373 81270 | Fax +49 6373 812720
info@minitec.de | www.minitec.de

MINITEC GMBH & CO. KG (DEUTSCHLAND)

Nickelsweiher 6 | 66914 Waldmohr
Tel. +49 6373 81270 | Fax +49 6373 812720
info@minitec.de | www.minitec.de

MINITEC GMBH & CO. KG (DEUTSCHLAND)

Fürther Straße 33 | 90513 Zirndorf
Tel. +49 911 2789000 | Fax +49 911 27890099
zirndorf@minitec.de | www.minitec.de

MINITEC SMART SOLUTIONS GMBH (DEUTSCHLAND)

Zollamtstraße 7 | 67663 Kaiserslautern
Tel. +49 6373 8127 350 | Fax +49 6373 812720
kontakt@mss-digital.de | www.minitec-smart-solutions.net

MINITEC BERLIN GMBH (DEUTSCHLAND)

Melitta-Schiller-Straße 18 | 12526 Berlin
Tel. +49 30 2359 8000
berlin@minitec.de | www.minitec.de

MINITEC ESPAÑA S.L.U. (ESPAÑA)

C/ Carlos Jiménez Díaz, 7. Pol. Ind. La Garena
28806 Alcalá de Henares, Madrid
Tel. +34 916 562 652
info@minitec.es | www.minitec.es

MINITEC S.N.C. (FRANCE)

2, rue Charles Desgranges | 57214 Sarreguemines
Tel. +33 387 276870 | Fax +33 387 276877
info@minitec.fr | www.minitec.fr

MINITEC.AT GMBH (ÖSTERREICH)

Beethovenstraße 12 | 2380 Perchtoldsdorf
Tel. +43 1 8659559
office@minitec.at | www.minitec.at

MINITEC 4NAG (SCHWEIZ)

Honeywell-Platz 1 | 8157 Dielsdorf
Tel. +41 44 5751500 | Fax +41 44 5751501
info@minitec.ch | www.minitec.ch

MINITEC SOLUTIONS SRL (ROMÂNIA)

Str. J.H. Pestalozzi Nr. 22 | Timisoara 300115
Tel. +40 722 229 134
office@minitec.ro | www.minitec.ro

MINITEC D.O.O. (SLOVENIJA)

Teharska cesta 41 | 3000 Celje
Tel. +386 59 071 390 | Fax +386 59 071 399
info@minitec.si | www.minitec.si

MINITEC SLOVAKIA S.R.O. (SLOVENSKO)

Rabčická 332 | 029 44 Rabča
Tel. +421 43 5524350 | Fax +421 43 5524352
info@minitec-slovakia.sk | www.minitec-slovakia.sk

MINITEC HELLAS S.A. (GREECE)

Ag. I. Theologou 115 | 13672 Acharnes, Athen
Tel. +30 210 2401444
info@minitechellas.gr | www.minitechellas.gr

MINITEC UK LTD. (UNITED KINGDOM)

Unit 1 Telford Road | Houndmills Industrial Estate
Basingstoke, Hampshire RG21 6YU
Tel. +44 1256 365 605
info@minitec.co.uk | www.minitec.co.uk

MINITEC FRAMING SYSTEMS LLC (USA)

5602 County Road 41 | 14425 Farmington, NY
Tel. +1 585 9244690 | Fax +1 585 9244821
sales@minitecframing.com | www.minitecframing.com

MINITEC AUTOMATION TECHNOLOGY (USA)

7214 Gateway Park drive | Clarkston, Michigan 48346
Tel. +1 248 620 1820 | Fax +1 248 620 0850
sales@minitecautomation.com | www.minitecautomation.com

MINITEC SYSTEM TECHNOLOGY CO. LTD. (PR CHINA)

Plant No. 10; No. 103 ChengMenJin Road | Taicang 215400
Tel. +86 512 5320 8880 | Fax +86 512 5320 8879
info@minitec.com.cn | www.minitec.com.cn

MINITEC SA (SOUTH AFRICA)

48 York Road, North End | Port Elizabeth 6000
Tel. +27 41 3914795
info@minitec.co.za | www.minitec.co.za



MiniTec-Partner weltweit

Australien | Belgien | Bosnien und Herzegowina | Brasilien | Bulgarien | China | Estland | Finnland
Frankreich | Griechenland | Großbritannien | Indien | Italien | Kanada | Kroatien | Lettland | Liechtenstein
Litauen | Luxemburg | Malaysia | Mazedonien | Mexiko | Montenegro | Neuseeland | Niederlande
Österreich | Polen | Portugal | Rumänien | Russland | Schweden | Schweiz | Serbien | Singapur | Slowakei
Slowenien | Spanien | Südafrika | Tschechien | Türkei | Ukraine | Ungarn | USA | Vietnam